

PerformArc® Robotic Welding Cells



PerformArc® 1100SS & 2200SS Robotic Welding Cell



Custom Fixturing Available
PRS1100SS shown with optional equipment.

PerformArc robotic welding systems make adding an automated weld cell to your operation quick and simple. You don't need previous automation experience to get started — and once a PerformArc system is up and running, Praxair welding and service specialists are available 24 hours a day to help keep it that way.

Extremely High Productivity

Station indexing time is eliminated, allowing the robot to immediately begin welding on station B when station A is complete, gaining efficiencies and maximizing valuable time.

A second robot can be added, doubling throughput without requiring additional floor space.

Standard load station jog provides complete load position flexibility, allowing multi-stage loading or tack and finish welding to occur in a common welding fixture.

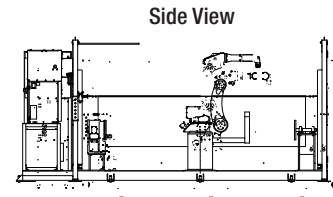
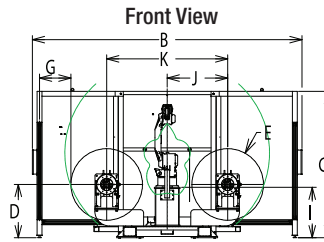
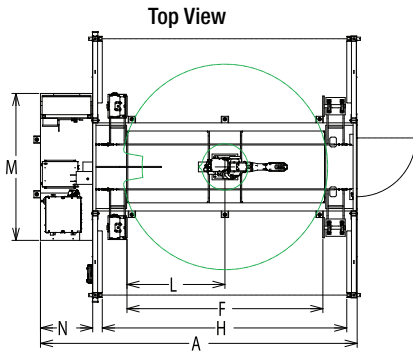
Manufacturing Flexibility

Our pre-engineered system is pre-wired and pre-assembled with a fully-welded frame. It's shipped to you in three sections for quick assembly and connection.

The PRS1100SS features an open side wall for easy changeover of holding fixtures or weldments by crane or forklift.

For ever-changing production needs, the large rotation diameter and heavy payload capacity allow low-, mid- and high-volumes to be welded in single, multiple or progressive fixtures.

Single- or dual-sided operation minimize interruptions and maximize throughput by allowing fixtures or parts to be changed while welding is occurring on the opposite side.



SPECIFICATIONS	PerformArc®		
		1100SS	2200SS
FRAME WIDTH	A	200 in.	200 in.
FRAME DEPTH	B	168 in.	197 in.
FRAME HEIGHT	C	90 in.	90 in.
ROTATION HEIGHT (FROM FLOOR)	D	33 in.	37 in.
ROTATION DIAMETER	E	44 in.	60 in.
HEADSTOCK-TAILSTOCK SPAN	F	120 in.	120 in.
DISTANCE FROM ROTATION TO LIGHT CURTAIN CL	G	19 in.	17.5 in.
LIGHT CURTAIN OPENING	H	150 in.	153 in.
ROBOT HEIGHT (FROM FLOOR)	I	31 in.	43 in.
ROBOT DISTANCE (FROM CL OF ROTATION)	J	37 in.	45 in.
POSITIONER CL TO POSITIONER CL	K	74 in.	91 in.
ROBOT CL TO POSITIONER FACEPLATE	L	60 in.	60 in.
CONTROLS AREA WIDTH	M	90 in.	90 in.
CONTROLS AREA DEPTH	N	32 in.	36 in.
SHIPPING WEIGHT MAIN BASE		6,800 lbs.	3,000 lbs.
SHIPPING WEIGHT WING PALLET		600 lbs.	600 lbs.

*Note: All dimensions are approximate.

Power Source Options

Advanced MIG (GMAW)	TIG (GTAW)
Auto-Continuum™ 350A / 500A	Dynasty® 400A
TAWERS 350A / 450A	Dynasty® 800A
	BP4-300A

Robot Options

1100SS		2200SS	
Single	Dual Robot	Single	Dual Robot
TM1600	TM1400	TM1600	TM1600
TM1800	TM1600	TM1800	TM1800
TM2000	TM1800	TM2000	TM2000

POSITIONER GENERAL TECHNICAL SPECIFICATIONS

	1100SS	2200SS
MODEL	Servo Positioner	Servo Positioner
MOTOR TYPE	1.6 kW AC Digital Servo	3.5 kW AC Digital Servo
CONTROL TYPE	Servo Control	Servo Control
PAYLOAD (PER SIDE)	1,100 lbs.	2,200 lbs.
PAYLOAD OFFSET (FROM POSITIONER CL)	Please consult manual	Please consult manual
THROUGH HOLE (FOR UTILITY PASS THROUGH)	2.16 in.	2.95 in.

STANDARD FEATURES

- 6 kg arc welding robot
- 64-bit controller with TFT color display teaching pendant utilizing Windows® CE
- Auto-Continuum™ Advanced MIG Welding System
- Auto-Continuum™ wire drive motor assembly
- Tregaskiss™ air-cooled welding torch
- Miller designed and manufactured total productivity system

SYSTEM FEATURES

- (2) Integrated operator interfaces (E-Stop, Auto, Servo On, Hold, Start, Position Jog)
- (1) Full open hinged door for maintenance access
- TCP pointer and resident TCP check program
- Tip change monitor and maintenance program for easy torch upkeep
- Arc start retry, arc overlapping, flying arc start, password protection
- Resume function, shifting functions, online help function
- Standard remote axis jog (unlimited positional jog at operator load station)

Tooling Area Options

	1100SS	2200SS
Standard Headstock-Tailstock Width	120 in.	120 in.
Standard Rotation Diameter	44 in.	70 in.
Optional Headstock-Tailstock Widths	96 in., 144 in.	96 in., 144 in.
Optional Rotation Diameter	-	60 in.
Optional Payload	Available upon request	